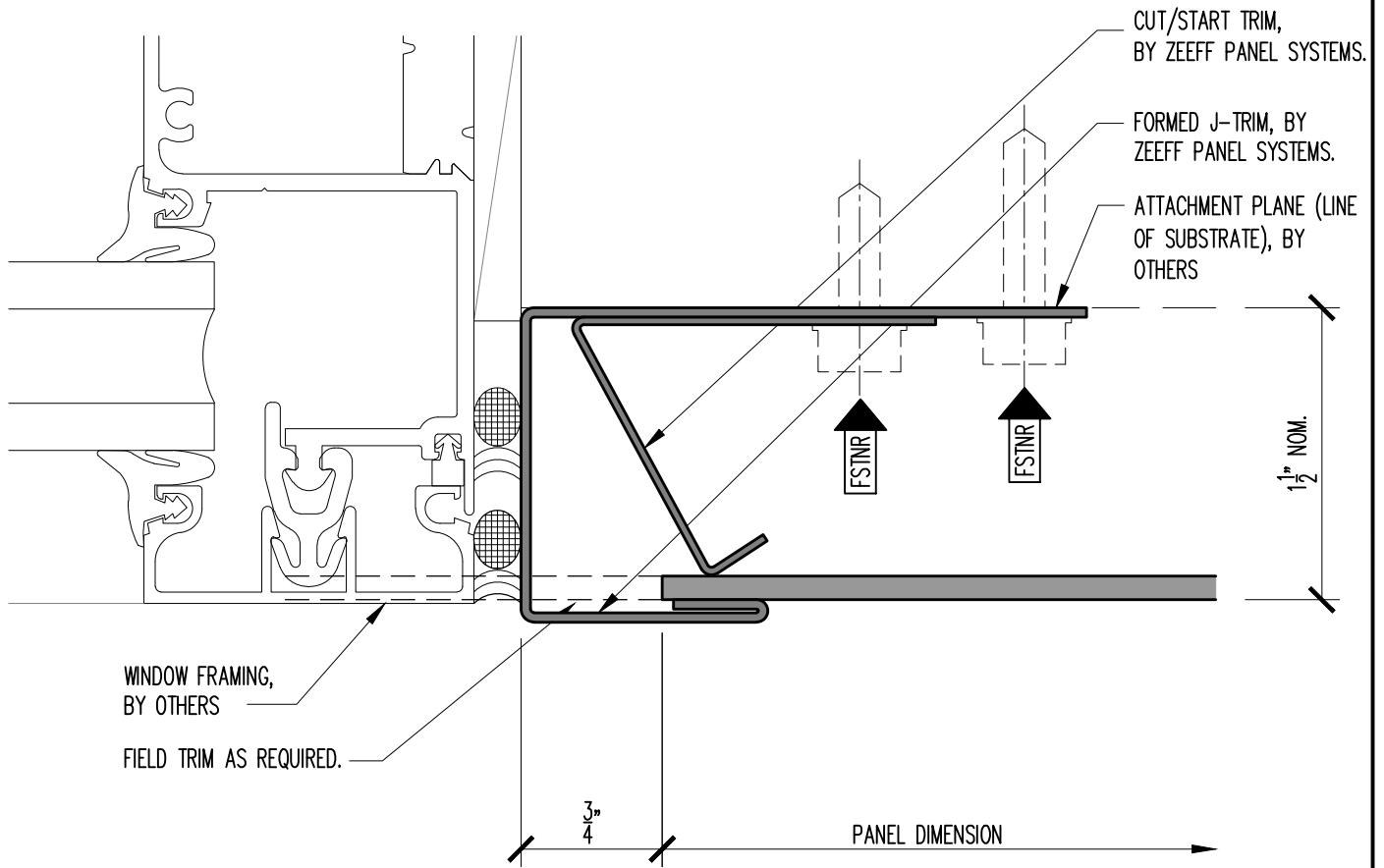


ORIGIN SERIES DESIGN GUIDE

.125" ALUM. TRIM INSTALLATION



21

PANEL JAMB DETAIL AT FLUSH WINDOW / DOOR JAMB

SCALE: FULL

INFO@ZEEFFPANELS.COM | WWW.ZEEFFPANELS.COM

FULLY TESTED: AAMA 508 | ASTM E330 | ASTM E283 | ASTM E1233 | ASTM E331 | AAMA 505.1

D21